

EHD650

1/3" Wide Dynamic Range, True Day/Night Rugged Dome Color Camera



Features

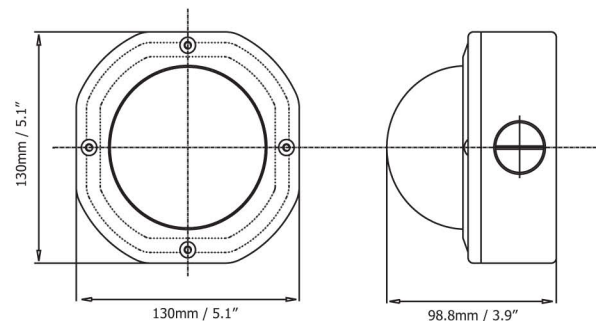
- 1/3" Digital Pixel System (DPS) color sensor
- 480 TVL of horizontal resolution
- Each pixel is processed independently, providing high-quality pictures with enhanced dynamic range under extreme lighting conditions
- Superior Wide Dynamic image quality: Film-like colors are illustrated under various light conditions, even in high dynamic range scenes (>120dB max.)
- True Day/Night with IR cut filter
- Vandal proof: designed with polycarbonate shell to withstand the impact of a 10 lb sledgehammer
- Weatherproof: IP66 rated



Specifications

Pickup Device	1/3" DPS Wide Dynamic Range Sensor
Pixel Element	720 × 540 (Digital)
Horizontal Resolution	480 TVL (Analog)
Sensitivity	0.08 lux (SS ON)/ F=1.2
Slow Shutter	Up to 32x (2, 4, 8, 16, 32)
S/N Ratio	Over 48dB
Auto Exposure	Yes
Auto White Balance	Yes, 2500K ~9500K (Adjustable)
Backlight Compensation	Yes
Auto Iris	Yes
Video Output	BNC, 1 Vp-p / 75 ohm
Auto Gain Control	Yes (max. 38dB)
Wide Dynamic Range	95dB typical, 120dB max
Synchronization	Line Lock / Internal Sync. (AC input required)
Image Flip	Yes (Horizontal Reverse)
On Screen Display	Yes
Lens	f=2.9~10mm
Power Source	24VAC
Operating Temperature	-40°C~50°C / -40°F~122°F (20%~80% Humidity)
Power Consumption	6W max. (w/out heater), 20.5W max. (w/heater)
Dimension	130 (W) x 98.9 (H) x 130 (D) mm / 5.1" (W) x 3.9" (H) x 5.1" (D)

Dimensions



(Unit: mm/inch)

Package Contents

- Camera Unit x 1
- Accessory Pack x 1
- Conduit x 1
- Power & Video Cable x 1
- Manual x 1

Ordering Information

- **EHD650/H-3:** 1/3" Wide Dynamic, True Day/Night Rugged Dome Color Camera, 2.9~10mm Lens